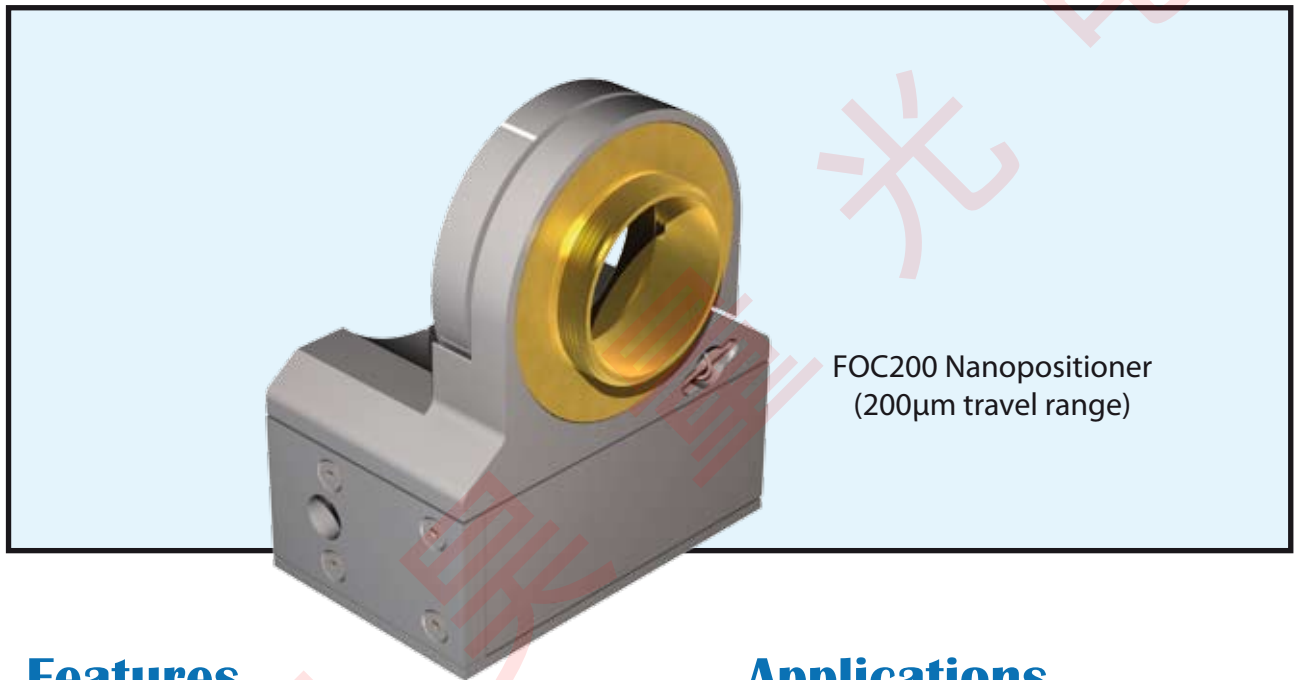


FOC NANOPositionER

The FOC are nanopositioners dedicated to microscope objective accurate positioning. They are offered with 100, 200 or 300 microns of travel. The FOC is used in a wide range of applications : Z-stack, automated focus or together with automated focus drift compensation system. It is made from aluminium and brass, and is equipped with sensor offering stability in the picometer level. The brass mounting ring can be easily exchanged so that any objective can be used with the FOC nanopositioner. The threads which are available are : RMS, M25, M26, M27 and M32.



Features

- Travel ranges up to 300 μ m
- Moves objectives with sub-nm resolution
- Parallel flexure guiding
- Closed loop control
- Silicon sensor technology
- Less than 30pm noise floor

Applications

- 3D imaging
- Interferometry
- Autofocus system
- Confocal microscopy
- Super Resolution microscopy
- Semiconductor metrology

Specifications

	FOC100	FOC200	FOC300
Range of motion (μm)	100	200	300
Resolution (nm)	0,1	0,2	0,3
Typical noise floor (nm)	0,01	0,02	0,03
Full range repeatability (nm)	0,2	0,4	0,6
Linearization (typical)	0,02%	0,02%	0,02%
Resonant frequency (Hz)	500	350	250
Stiffness ($\text{N}/\mu\text{m}$)	0,6	0,4	0,3
Maximum load (kg) - horizontal use	0,5	0,5	0,5
Maximum load (kg) - vertical use	0,5	0,5	0,5
Sensor	Silicon HR sensor	Silicon HR sensor	Silicon HR sensor
Size W x L x H (mm)	53,6 x 64,2 x 34,50	53,6 x 64,2 x 34,50	53,6 x 64,2 x 34,50
Material	Al	Al	Al
Cable length (m)	2	2	2
Recommended Controller	Standard	Standard	Standard

Drawing

