

Table de Micro Positionnement miniature μ TMP 16-1560-10

UPDATE : 25/09/2015

page 1

μ TMP ensure high precision motion of equipment, part or sample....



Non Contractual photo

μ TMP 16-1560-10 is equipped with a crossed roller bearings providing, in a minimal size, good stiffness and high precision...

The motion is operated by an irreversible screw-nut system with backlash compensation.

An optical sensor enables to repositionnate the stage on its stroke.

A stepper motor enables to combine precision, torque and speed.

The stage are compatible to a vacuum use (10⁻⁶mbar maximum). In this version the stage has an untreated aluminium color (no black anodization)

UHV (10⁻⁸mbar max) version is possible as an option. Grease and materials are adapted to reduce degassing, such lubrications:

- Lubrication (motor, screw-nut, guiding)
- Adhesive Epoxy
- Cable PTFE - Steel Screw and bolts

Table de Micro Positionnement miniature μ TMP 16-1560-10

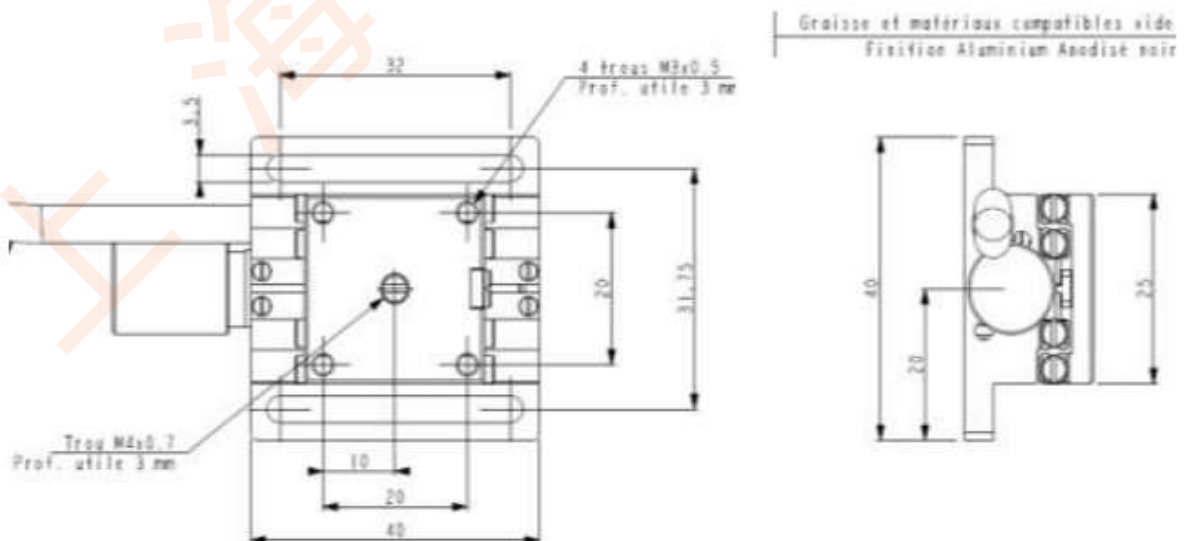
UPDATE : 25/09/2015

page 2

Technical Specifications :

Characteristics (without options)	Values
Stroke	16 mm
Resolution	1.56 μ m / pas
Repetability	< 3 μ m
Speed	1.5 mm/s
Loading Capacity	10 N
Hybride Stepper motor	
Polarized and irreversible board	
Optical sensor	
Black anodized aluminum finish	
Grease and materials compatible to vacuum	

Dimension : (plan)



Compact miniature micro-positioning stage μ TMP C- 6-200-10

Update : 21/10/2015

page 1

μ TMP ensure high precision motion of equipment, part or sample....

μ TMP C 6-200-10 is the smallest stage of our range.

Equipped with a crossed roller bearings without recirculating and prestressed. Provide in a minimal size, good stiffness and high precision.

The motion is operated by an irreversible screw-nut system with backlash compensation.

A stepper motor enables to combine precision, torque and speed. Resolution and speed can be easily adapted.

Various versions:

- Standard, PA use, black anodization possible.
- Use on Vacuum and high vacuum. Wire and modified grease, untreated aluminium color.
- UHV version. Motor, materials, glue and modified lubrication are adaptable on request.



Non contractual photo

Compact miniature micro-positioning stage μ TMP C- 6-200-10

Update : 21/10/2015

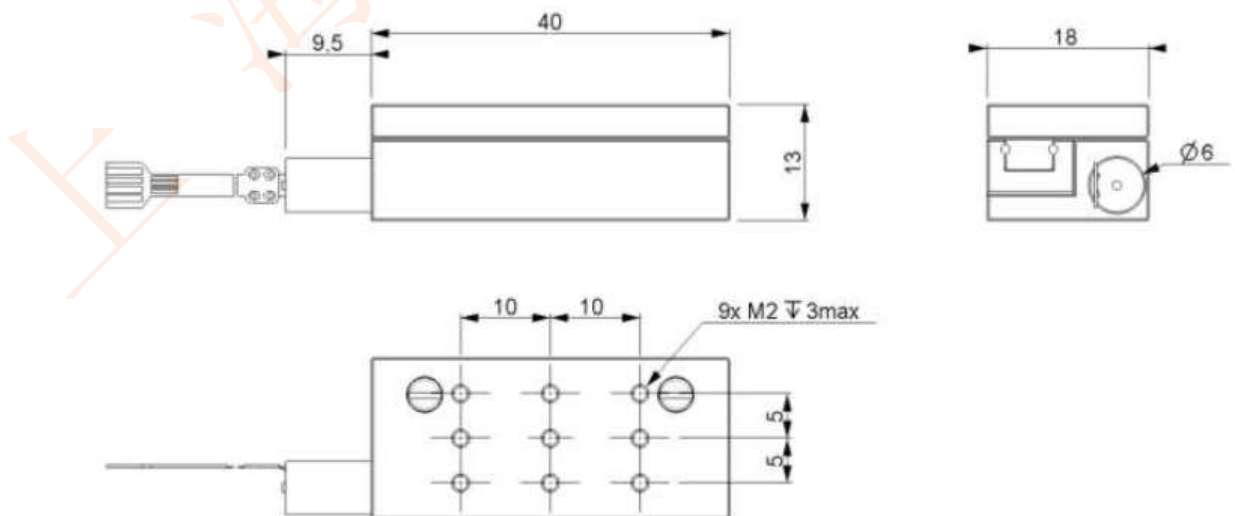
page 2

Technical Specifications:

Characteristics (without options)	Values
Travel range	6 mm (+/-3mm)
Resolution	200 nm / pas
Repetability	< 3 μ m
Speed	0.2 mm/s
Load capacity	10 N
Hybride stepper motor	
Polarized and irreversible board	
Reset on mechanical stop. External captor on motor side (option)	

*Resolution and speed values can be adapted on demand

Dimension (mm):



Compact Micro Positioning Stage μ TMP 32-1560-10

UPDATE : 21/04/2015

page 1

μ TMP ensure high precision motion of equipment, part or sample....

*Non contractual photo*

μ TMP 32-1560-10 is equipped with a crossed roller bearings providing, in a minimal size, good stiffness and high precision.

The motion is operated by an irreversible screw-nut system with backlash compensation

An optical sensor enables to repositionnate the stage on its stroke.

A stepper motor enables to combine precision, torque and speed.

The stage are compatible to a vacuum use (10^{-6} mbar maximum). In this version the stage has an untreated aluminium color (no black anodization)

UHV (10^{-8} mbar max) version is possible as an option. Grease and materials are adapted to reduce degassing, such lubrications:

- Lubrication (motor, screw-nut, guiding)
- Adhesive Epoxy
- Cable PTFE
- Steel Screw and bolts

Compact Micro Positioning Stage μ TMP 32-1560-10

UPDATE : 21/04/2015

page 2

Technical Specifications :

Caracteristics (without options)	Values
Stroke	32 mm
Resolution	1.56 μ m / step
Repetability	< 3 μ m
speed	1.5 mm/s
Loading capacity	10 N
Hybride stepper motor	
Polarized and irreversible board	
Optical sensor	
Black anodized aluminum finish	
Grease and materials compatible to vacuum	

Dimension :

