

Q2HE

HIGH ENERGY AIR-COOLED Q-SWITCHED LASER

FEATURES

Up to **100 mJ** pulse energy,
up to **4 W** average power

1053 or **1064 nm** output wavelength

Air cooled (water-free)

Up to **100 Hz** repetition rate

Smoothly variable pulse repetition rate
for 1053 nm output wavelength models

> **2 G shot** lifetime of pump diodes

Built-in sync pulse generator for triggering of
user equipment

Remote monitoring and control via built-in
Ethernet interface

Optional attachable 2nd harmonic generator

Optional 2nd, 3rd, 4th or 5th stand-alone harmonic
generator

Optional attachable attenuator for fundamental
wavelength

Optional attachable pulse energy monitor

APPLICATIONS

Laser Induced Breakdown Spectroscopy (LIBS)

Light Detection And Ranging (LIDAR)

Remote sensing/designation

Laser ablation (marking, LCD repair etc.)

Laser shock wave generation

Pulsed light deposition (PLD)



Quantum Light Instruments Ltd. innovative water-free laser crystal cooling technology enables generation of high quality laser beam with up to 100 mJ pulse energy and/or up to 4 W average output power.

Q2HE series sets new standard in Q-switched laser market. Advanced laser design resulted in compact, user-friendly turnkey system that requires little maintenance. There is no chillers or bulky power supplies that one needs fit under the table. Most of laser electronics is integrated into housing of the Q2HE and the only external modules are compact controller box and mains adapter that provides 28 VDC, 50 – 150 W power (depending on model).

Less than 7 ns pulse duration and low divergence of the beam enables efficient fundamental wavelength conversion to higher harmonics with shortest wavelength available of 211 nm.

Low jitter triggering pulses for user equipment are available in internal triggering mode. If required, laser pulsing can be externally triggered from delay generator. Laser is controlled through Ethernet port via built-in web-server. There is no need to install control software – any computer or even cell phone with modern web-browser installed will be able to control Q2HE. API is provided for integration with user devices.

Optional extensions are available by request:

- > Attachable second harmonic generator
- > Attachable motorized attenuator for fundamental wavelength beam
- > Attachable pulse energy monitor with analog and/or digital output



Quantum
Light
Instruments

WWW.QLINSTRUMENTS.COM

SPECIFICATIONS 1)

MODEL	Q2HE						
	-D20	-D50	-D100	-E20	-E50	-F10	-F20
Wavelength	1064 nm					1053 nm	
Pulse repetition rate ²⁾	20 Hz	50 Hz	100 Hz	20 Hz	50 Hz	10 Hz	20 Hz
Pulse energy	40 mJ			70 mJ		100 mJ	
Typical pulse duration ³⁾	< 7 ns					< 6 ns	
Pulse to pulse energy stability	< 0.5 % RMS ⁴⁾						
Power drift	± 3.0 % ⁵⁾						
Beam profile	bell-shaped, > 75 % fit to Gaussian						
Beam divergence ⁶⁾	< 1 mrad						
Polarization	linear, horizontal						
Typical beam diameter ⁷⁾	3.0 mm			3.5 mm		4.5 mm	
Jitter	< 0.5 ns RMS ⁸⁾						

OPTIONAL HARMONICS GENERATOR ⁹⁾

Pulse energy :	-D20	-D50	-E20	-E50	-F10	-F20
526.5 / 532 nm		20 mJ		35 mJ		50 mJ
351 / 355 nm		12 mJ		20 mJ		30 mJ
263 / 266 nm		5 mJ		10 mJ		15 mJ
211 / 213 nm		1.5 mJ		3 mJ	5 mJ	4 mJ

OPTIONAL ATTENUATOR ¹⁰⁾

Transmission range	1 – 95 %
--------------------	----------

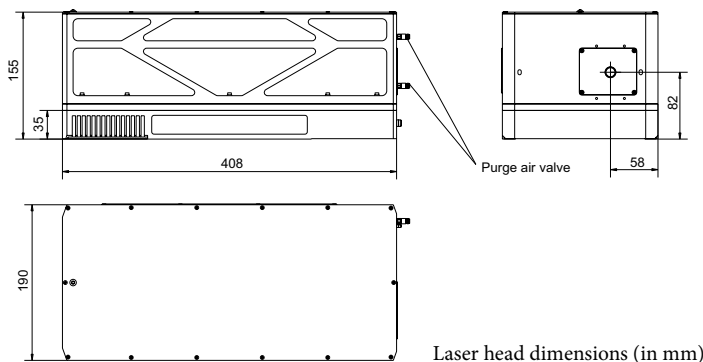
DIMENSIONS

Laser head (W×L×H)	190 × 408 × 155 mm ³
Controller unit (W×L×H)	108 × 191 × 59 mm ³
AC/DC power adapter, typical (W×L×H)	192 × 178 × 46 mm ³

OPERATING REQUIREMENTS

Cooling requirements	air cooled						
Ambient temperature	15 – 30 °C				15 – 27 °C		
Relative humidity	10 – 80 % (non-condensing)						
Mains voltage	90 – 230 VAC, single phase, 47 – 63 Hz ¹¹⁾						
Average power consumption	50 W	100 W	150 W	80 W	150 W	70W	120W

DRAWINGS



AUXILIARY EQUIPMENT

Compatible with our attachable 2nd harmonic generator, model SHG

Compatible with all our H-SMART series harmonic generators

Attachable motorized attenuator for fundamental wavelength beam

Attachable pulse energy monitor with analog and/or digital output

¹⁾ Due to continuous improvements all specifications are subject to change. Unless stated otherwise all specifications are measured at fundamental wavelength and maximum pulse repetition rate. The parameters marked typical are not specifications. They are indications of typical performance and will vary with each unit we manufacture.

²⁾ Factory-set pulse repetition rate is fixed at max repetition rate shown in the table. Pulse repetition rate up to 200 Hz are available by request.

³⁾ At FWHM level at 1064 nm, measured with 350 ps rise time photodiode.

⁴⁾ Measured during 30 seconds operation after warm-up.

⁵⁾ Over 8 hour period after 20 minutes of warm-up when ambient temperature variation is less than ±2 °C.

⁶⁾ Full angle measured at the 4σ level.

⁷⁾ Beam diameter is measured 20 cm from laser output at the 4σ level.

⁸⁾ In respect to falling edge of pump diode triggering pulse.

⁹⁾ Q2HE is compatible with our attachable second harmonic generator and all models of stand-alone H-SMART harmonics generator. Pulse energies presented here are maximum values. Please refer to harmonic generator datasheets for detailed specifications.

¹⁰⁾ Motorized attenuator intended to be attached to the laser housing. Transmission can be changed remotely through laser web-server control interface.

¹¹⁾ Laser can be powered from appropriate 28 VDC power source. Please inquire for details.



上海昊量光电设备有限公司

中国区代理

官网: www.auniontech.com 电话: 185 0177 0670

邮箱: jiabin-wei@auniontech.com

地址: 上海市徐汇区漕宝路 86 号光大会展中心 F 座 3 楼

Quantum Light Instruments Ltd.

Mokslininku 6A

LT-08412, Vilnius, Lithuania

Phone: +370 5 250 3717

Fax: +370 5 250 3716

Email: sales@qlinstruments.com